

## Product Specification

### PRODUCTS IMAGES



### PRODUCT FEATURES:

Type: Thermostatic shower mixer  
 Code: RB.TGN.0BS241.BR.PR  
 Material: Brass mixer(brass handle/brass cover plate) / brass head shower  
 brass shower holder/ plastic handshower / PVC hose  
 Finishing: Chrome

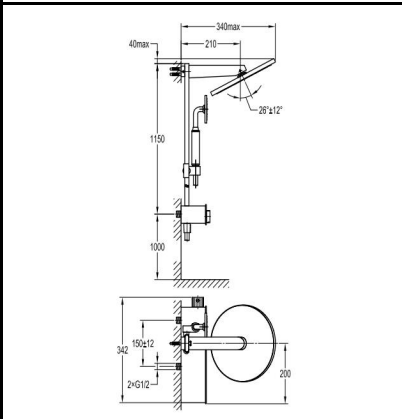
### Components included:

- \* Thermostatic cartridge, anti-scald 38°C safety stop
- \* GoSlide volume control cartridges
- \* Height and angle adjustable hand shower holder
- \* 1-function rainshower, Air-Mix shower technology, Ø25cm
- \* 3-function plastic handshower
- \* Easy clean shower spray
- \* 150cm PVC shower hose 1/2"

### FLOW RATE:L/MIN

| Water pressure | 1bar | 2bar | 3bar | 4bar | 5bar |
|----------------|------|------|------|------|------|
| Rain shower    | 8.4  | 12.6 | 15   | 18   | 19.8 |
| Bottom         | 6.6  | 10.2 | 12   | 14.4 | 16.2 |
| Hand shower    | 7.8  | 12   | 15.6 | 19.2 | 21.6 |

### TECHNICAL DRAWING



### REMARKS:

- \* Plating thickness passes AASS 24H test under lab conditions;

### WARRANTY:

ROCELL BATHWARE guarantees all its Chrome plated ranges of mixers and taps for a period of 5 years and accessories 2 years from the date of purchase against defect of work or materials, except for the electronic parts and the internal components such as ceramic cartridges, handworks, headworks and thermostatic cartridges which are guaranteed for a period of 2 years.